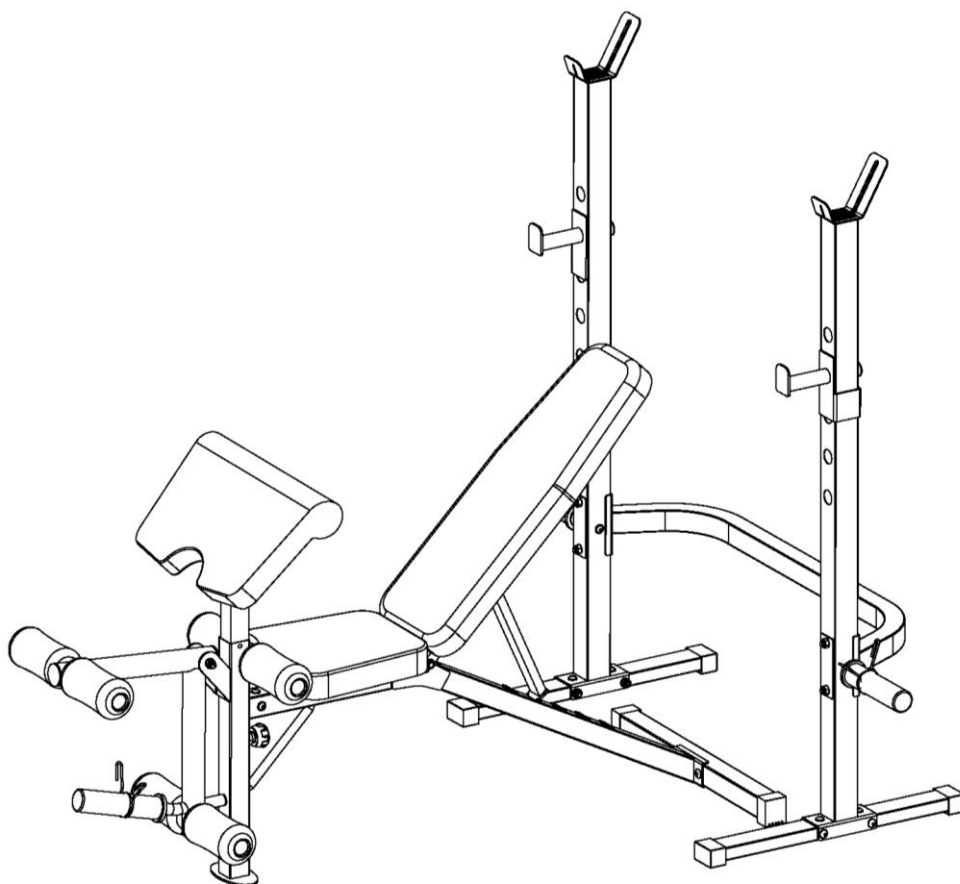


MARCY®

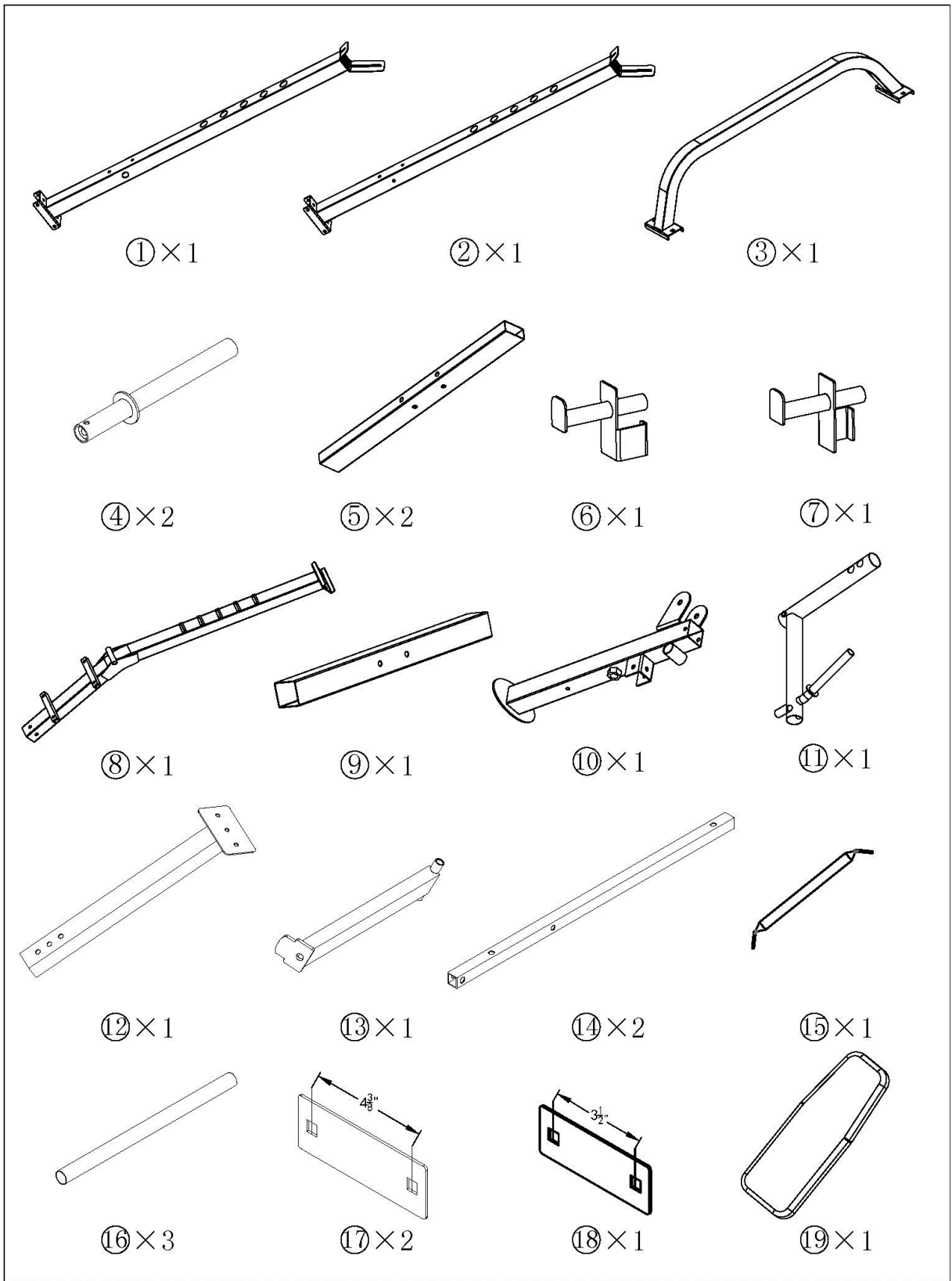
2-PIECE OLYMPIC BENCH MWB-60205

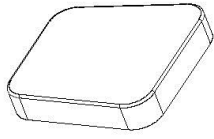


IMPORTANT: Please read the Important Safety Notice and Assembly Information in the Owner's manual before assembling this product.

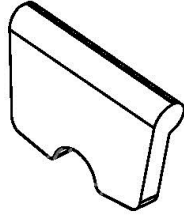
Assembly Manual

170622

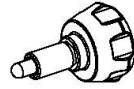




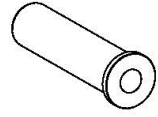
②0×1



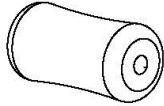
②1×1



④8×1



④9×3



⑤0×6



⑤1×3



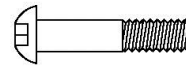
③9×6



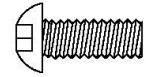
②③×7



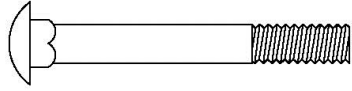
②④×4



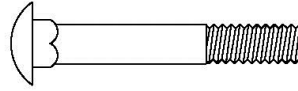
②⑤×4



②⑨×2



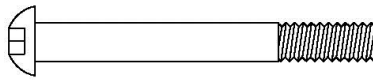
②⑧×4



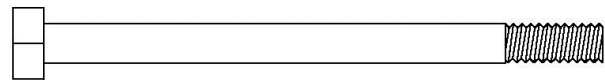
③①×2



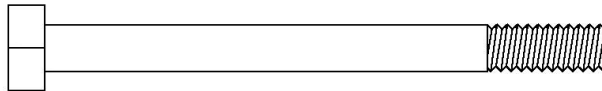
③②×4



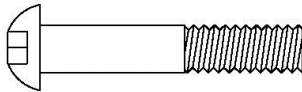
③⑦×4



②⑦×1



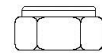
②⑥×1



②②×1



③⑦×11



③⑧×2



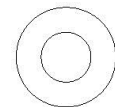
③③×4



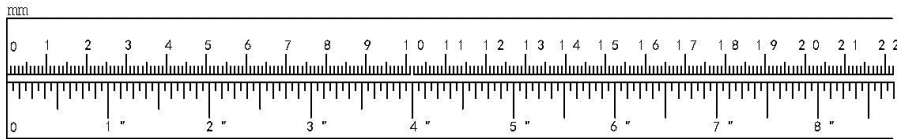
③④×8

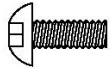


③⑤×25



③⑥×4



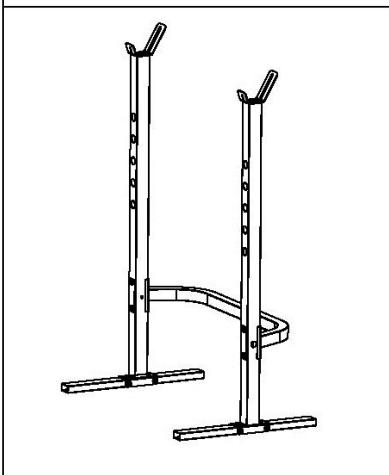
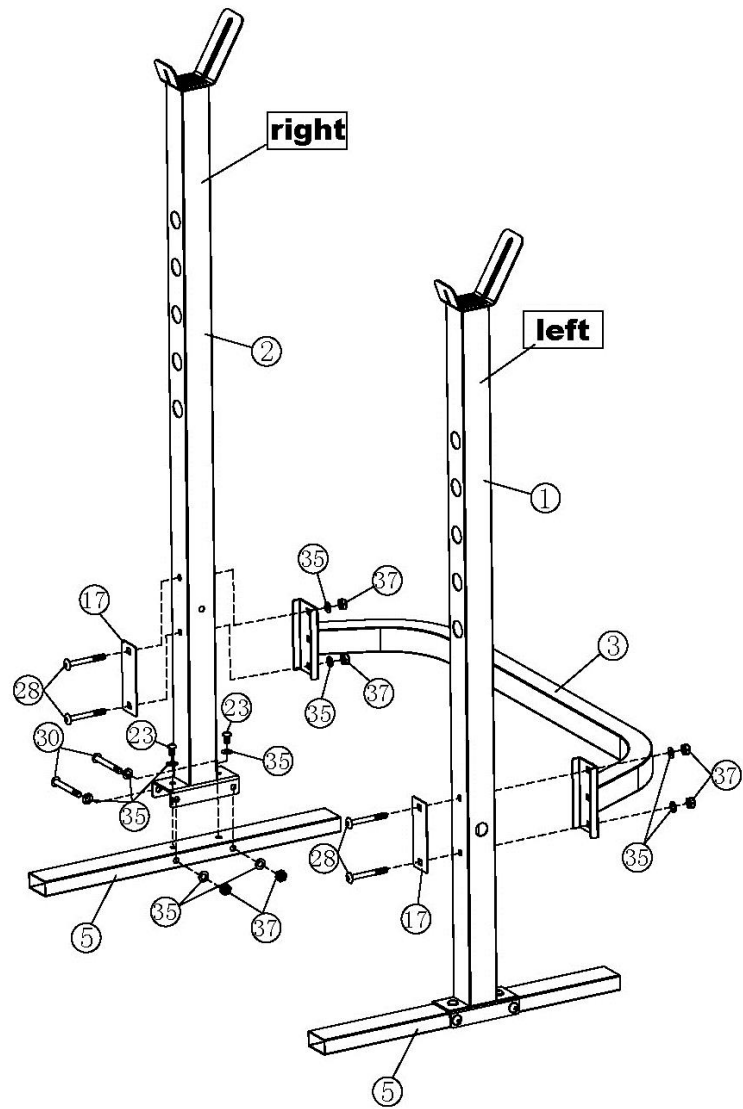
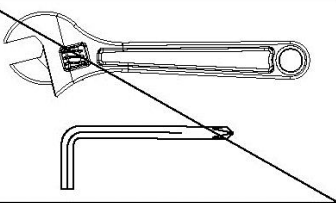
②③  4 M10 × $\frac{5}{8}$ "

②⑧  4 M10 × $3\frac{1}{8}$ "

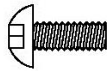
③⑩  4 M10 × $3\frac{3}{8}$ "

③⑤  16 $\varnothing\frac{3}{4}$ "

③⑦  8 M10



29



2 M10 × 1"

35



2 Ø 3/4"

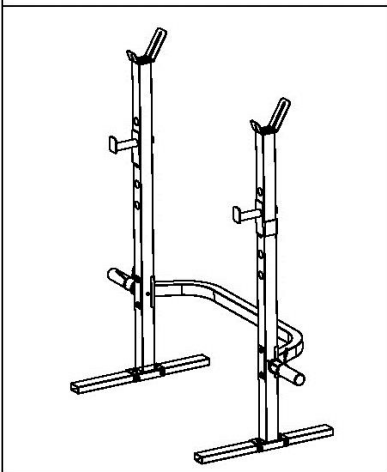
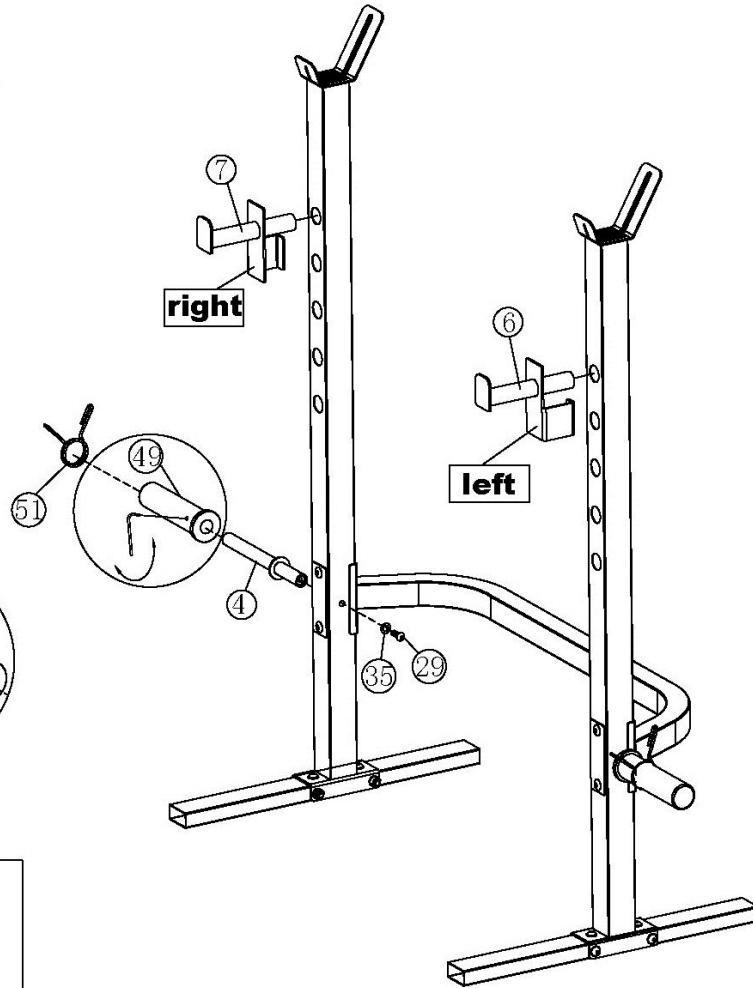
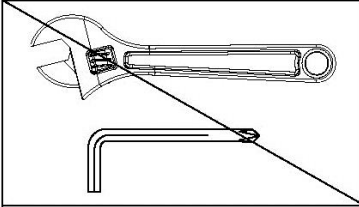
51

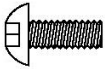


2

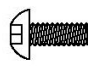


4# Allen Wrench (Tool)



②③  3 M10 × $\frac{5}{8}$ "

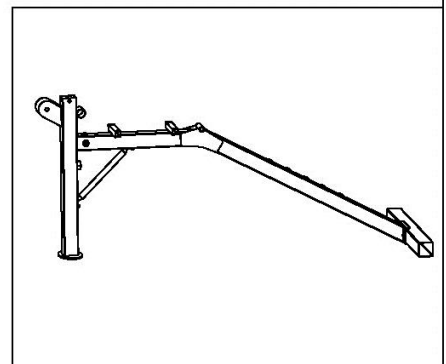
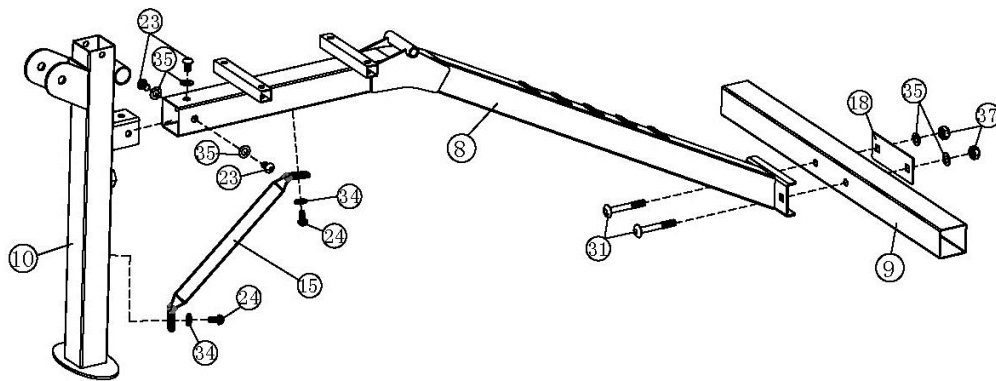
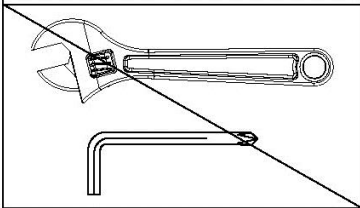
③①  2 M10 × $2\frac{3}{4}$ "

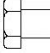
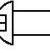
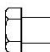





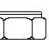
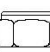
②④  2 M8 × $\frac{5}{8}$ "

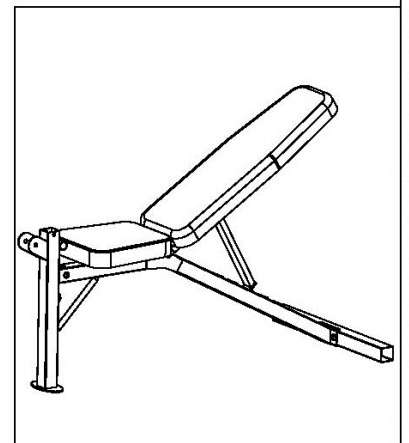
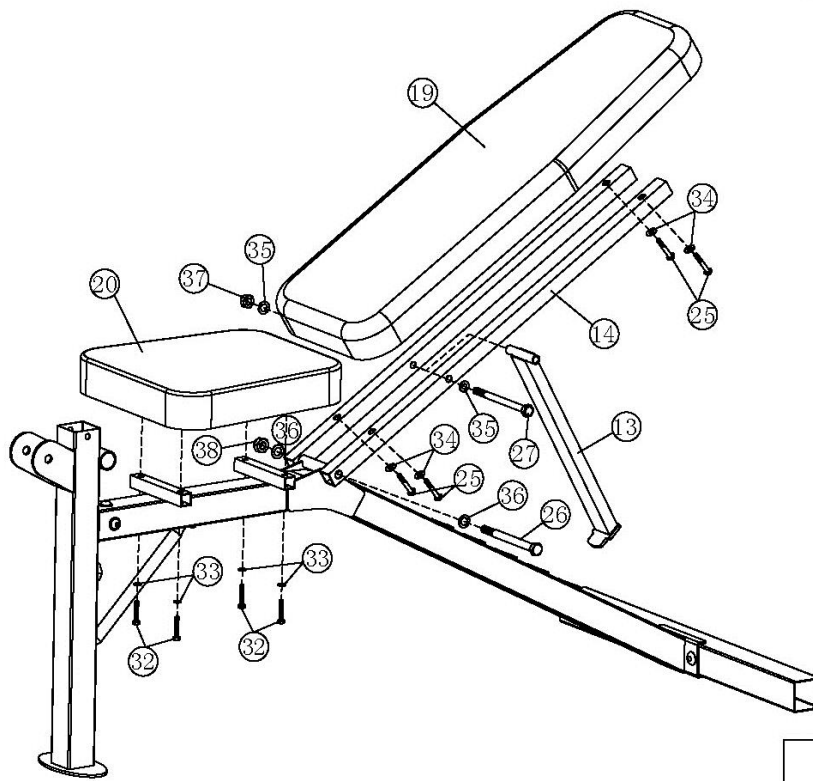
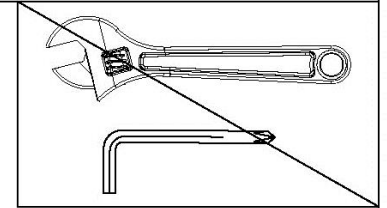
③④  2 $\varnothing\frac{5}{8}$ "

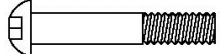
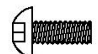
③⑤  5 $\varnothing\frac{3}{4}$ "


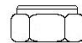
③⑦  2 M10

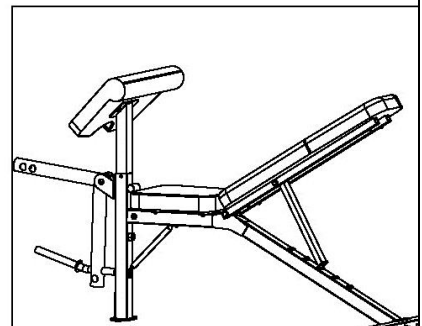
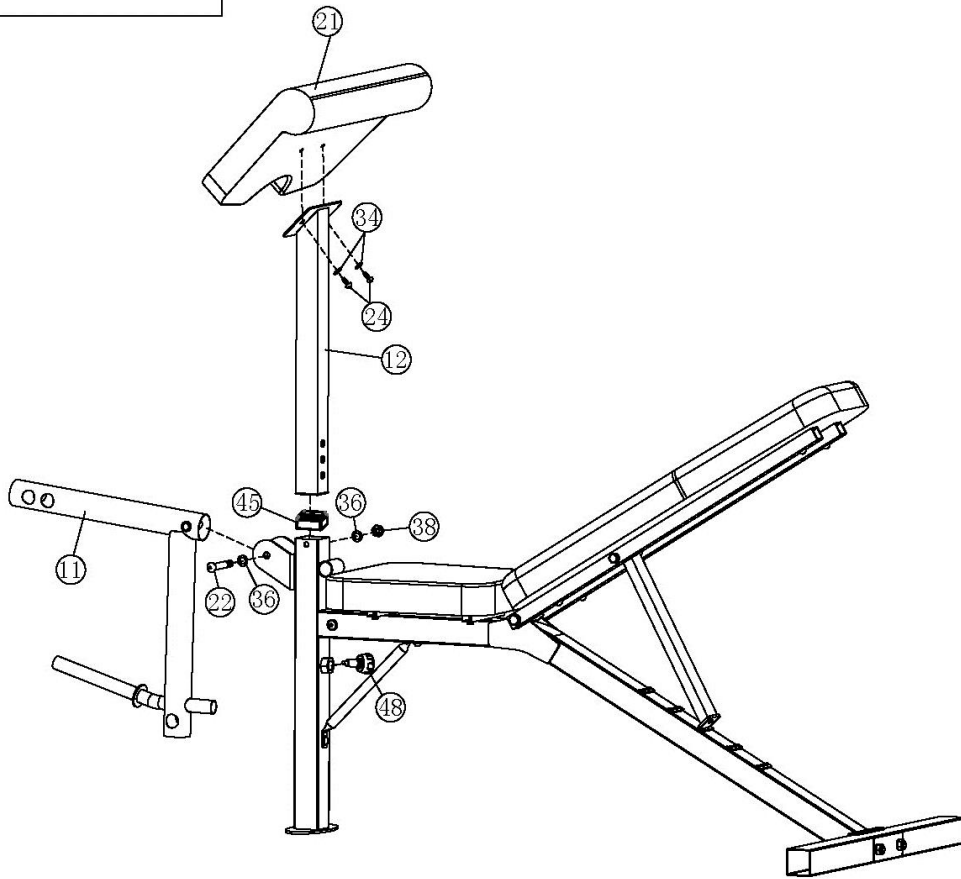
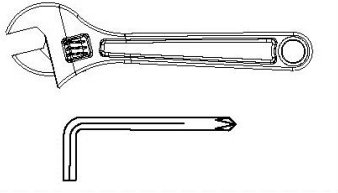


- | | | | | | | | |
|----|---|---|--------------|----|---|---|-------------|
| ②6 |  | 1 | M12 × 5 1/2" | ②5 |  | 4 | M8 × 1 1/2" |
| ②7 |  | 1 | M10 × 5 1/2" | ③2 |  | 4 | M6 × 1 3/8" |
| ③3 |  | 4 | Ø 1/2" | ③4 |  | 4 | Ø 5/8" |
| ③5 |  | 2 | Ø 3/4" | ③6 |  | 2 | Ø 1" |
| ③7 |  | 1 | M10 | ③8 |  | 1 | M12 |



②②  1 M12×3 1/8" ②④  2 M8×5/8"

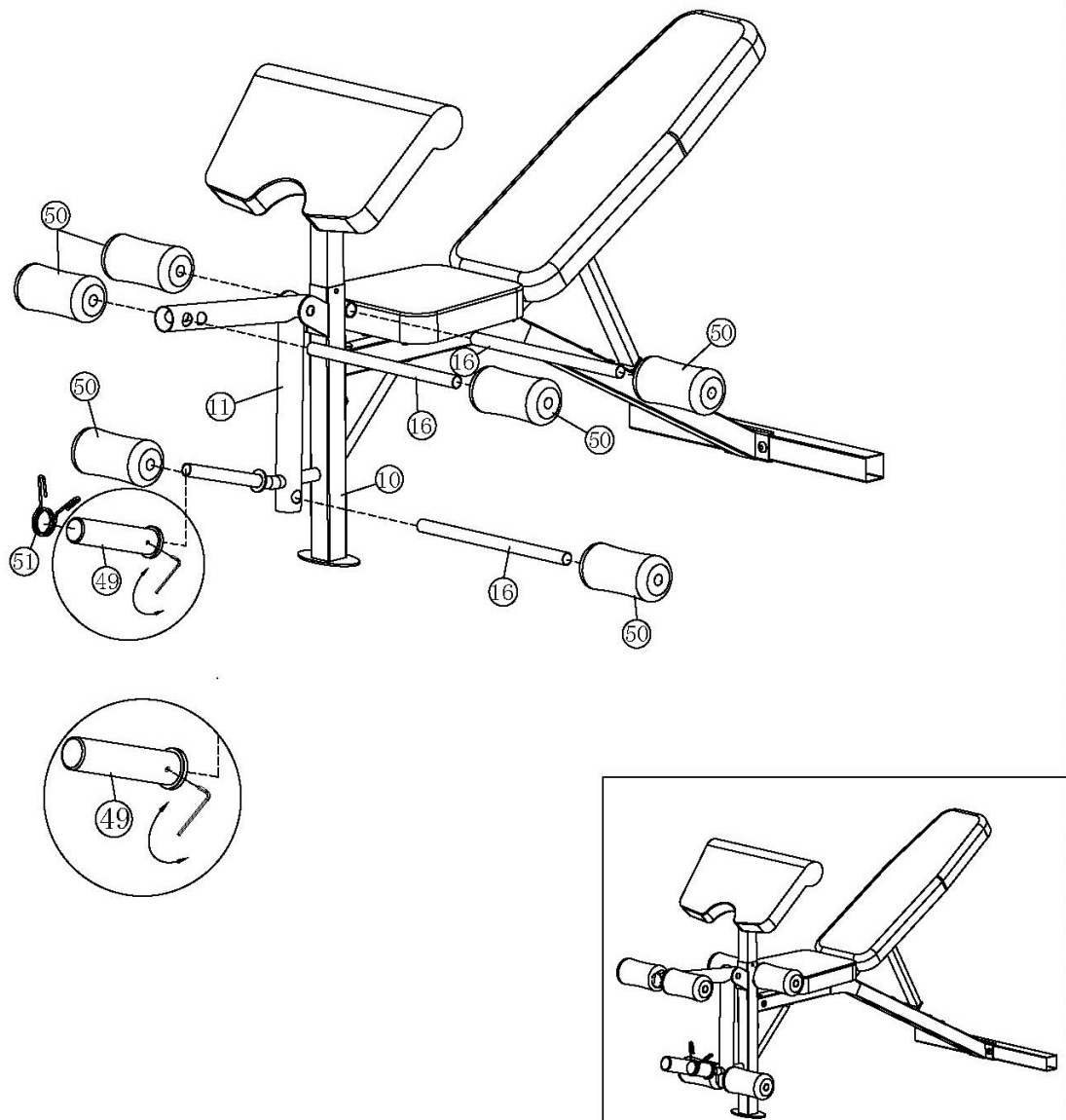
③④  2 Ø 5/8" ③⑥  2 Ø 1" ③⑧  1 M12

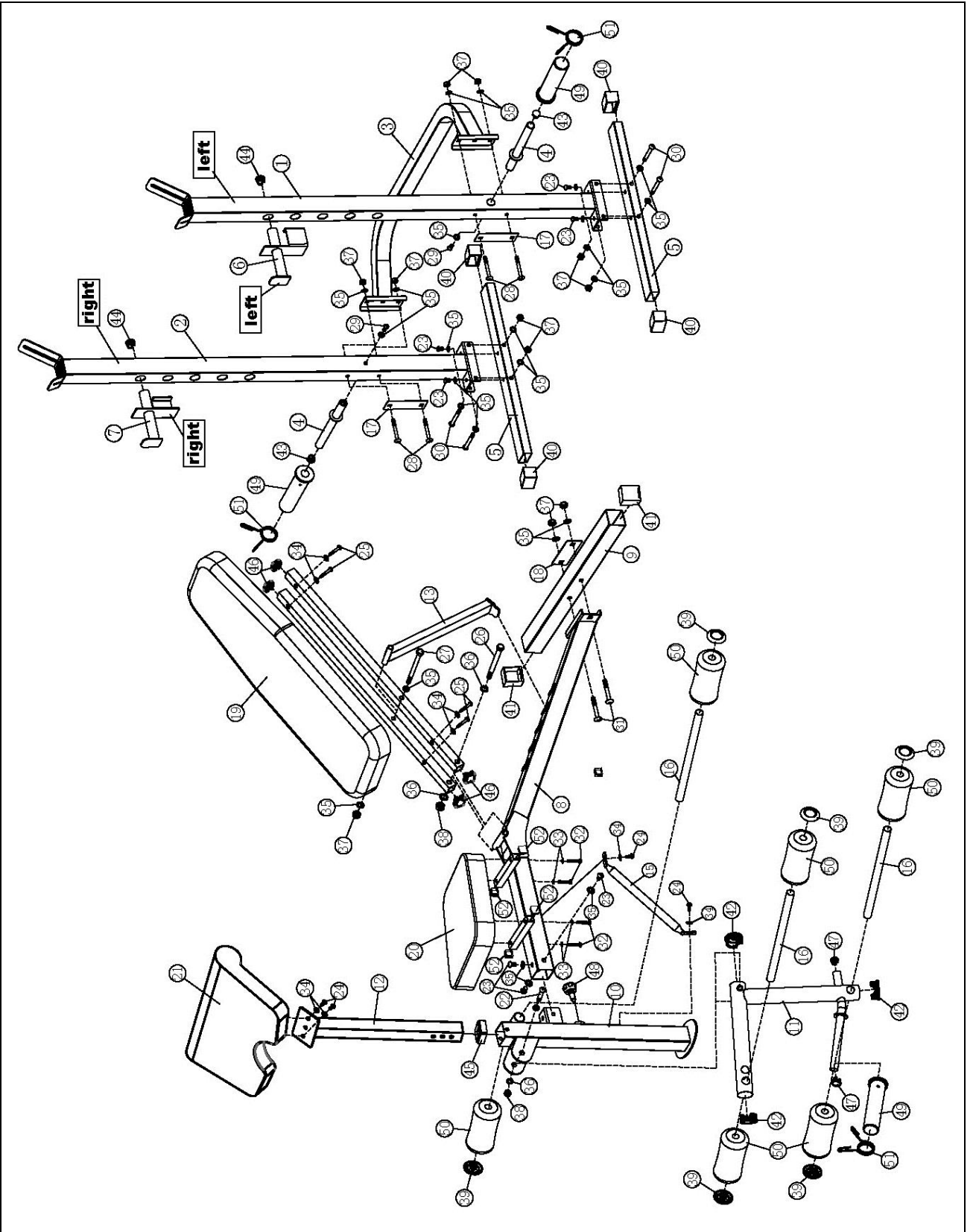


51  1



4# Allen Wrench (Tool)





IMPEX® INC.

2801 S. Towne Ave, Pomona, CA 91766

Tel: (800) 999-8899 Fax: (626) 961-9966

www.marcypro.com

support@impex-fitness.com